

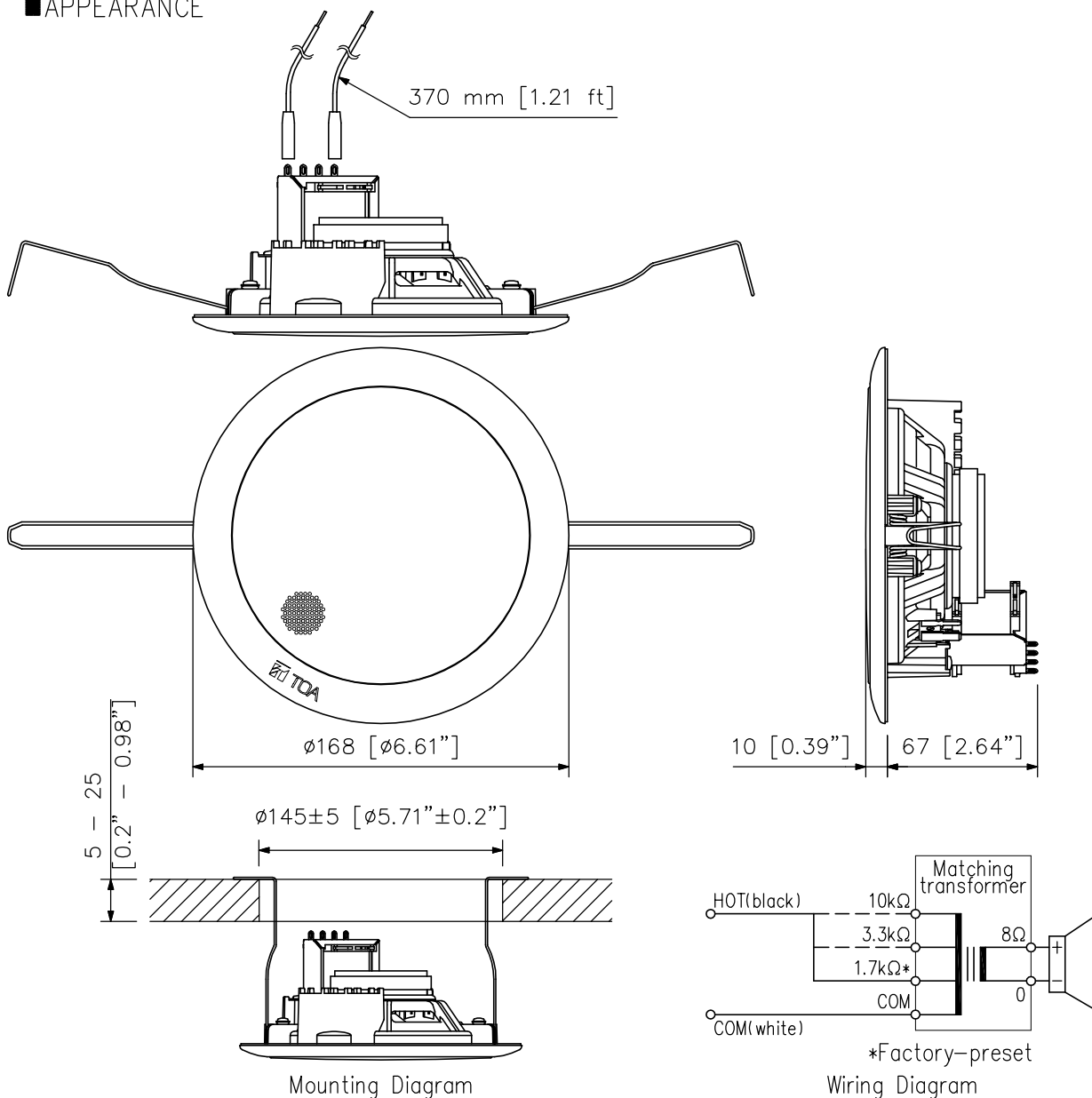
DESCRIPTION

Integrated with a resin panel and speaker frame, the PC-648R is the ceiling mount speaker with a metal attached. It features spring clamp mechanism for easy speaker mounting to the ceiling. The input impedance can be easily changed by changing the tap position of the transformer.

SPECIFICATIONS

| | |
|----------------------------|-------------------------------------------------------------------------------------------------------------------------------------------------------------------|
| Rated Input | 6 W (100 V line), 3 W (70 V line) |
| Rated Impedance | 100 V line: 1.7 k Ω (6 W), 3.3 k Ω (3 W), 10 k Ω (1 W) 70 V line: 1.7 k Ω (3 W), 3.3 k Ω (1.5 W), 10 k Ω (0.5 W) |
| Sensitivity | 90 dB (1 W, 1 m) (500 - 5,000 Hz, pink noise) |
| Frequency Response | 100 - 18,000 Hz (peak -20 dB) |
| Speaker Component | 12 cm (5") cone-type |
| Dimensions for Fixing Hole | Mounting hole: $\phi 145 \pm 5$ mm ($\phi 5.71'' \pm 0.2''$) Ceiling thickness: 5 - 25 mm (0.2" - 0.98") |
| Speaker Mounting Method | Spring clamp |
| Finish | Baffle: Polypropylene resin, off-white (RAL 9010 or equivalent color) Grille: Surface-treated steel plate net, off-white (RAL 9010 or equivalent color), paint |
| Dimensions | $\phi 168 \times 77$ (D) mm ($\phi 6.61'' \times 3.03''$) |
| Weight | 470 g (1.04 lb) |
| Accessory | Paper pattern ...1 |

APPEARANCE



UNIT:mm SCALE:1/3